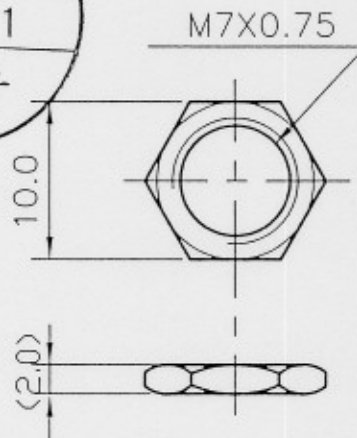
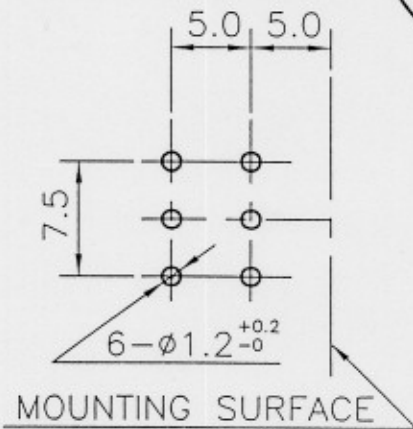
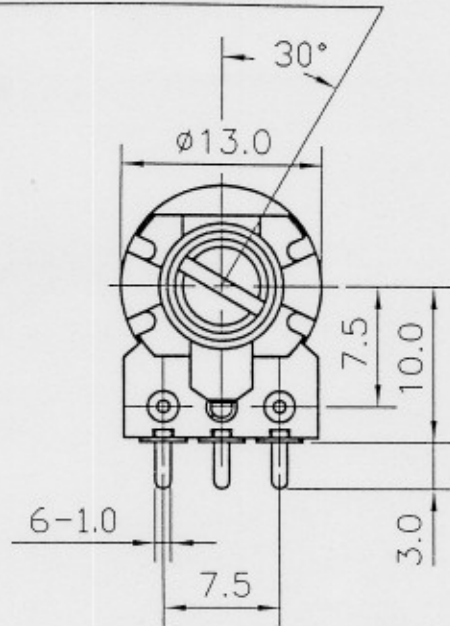
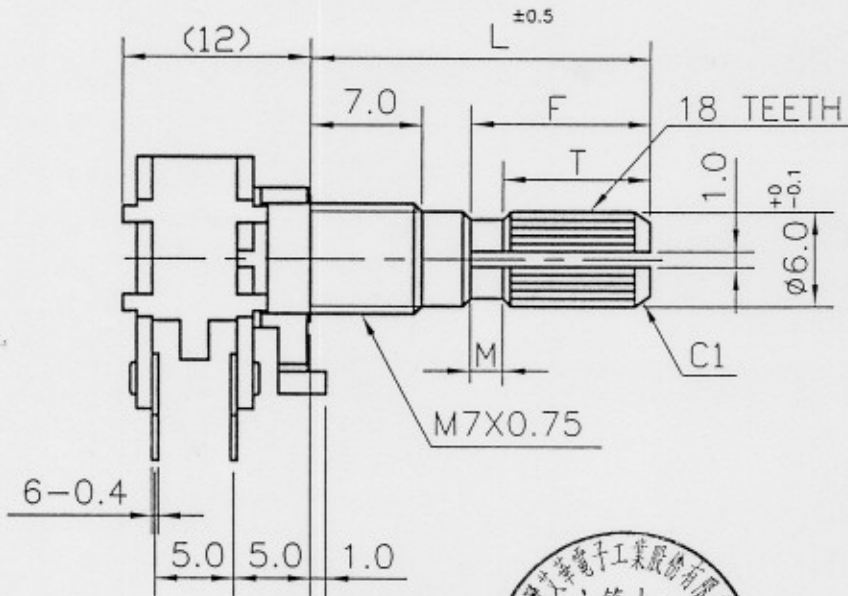
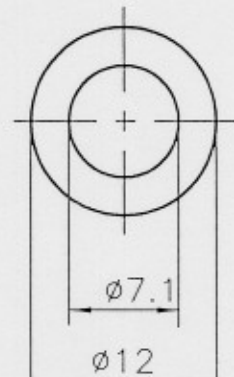


SHAFT SHOWN IN FULL C.C.W. POSITION



NUT 1PC



WASHER 1PC

P.C.B. MOUNTING HOLE DETAIL

	L	F	T	M
✓ 15K	15	7	6	1
20K	20	10	8	2
25K	25	14	12	4

RV122F-20-(L)K-XXX

NO.	DATE	DESCRIPTION	MODEL NAME			
TOL. UNLESS OTHERWISE STATED	DIMENSION	SCALE	DRAWN BY	CHECKED BY	APPROVED BY	DRAWING NO.
less than 10	±0.3	2:1				
above 10 ~ 30	±0.5					
above 30 ~ 100	±1.0					
above	±5°					